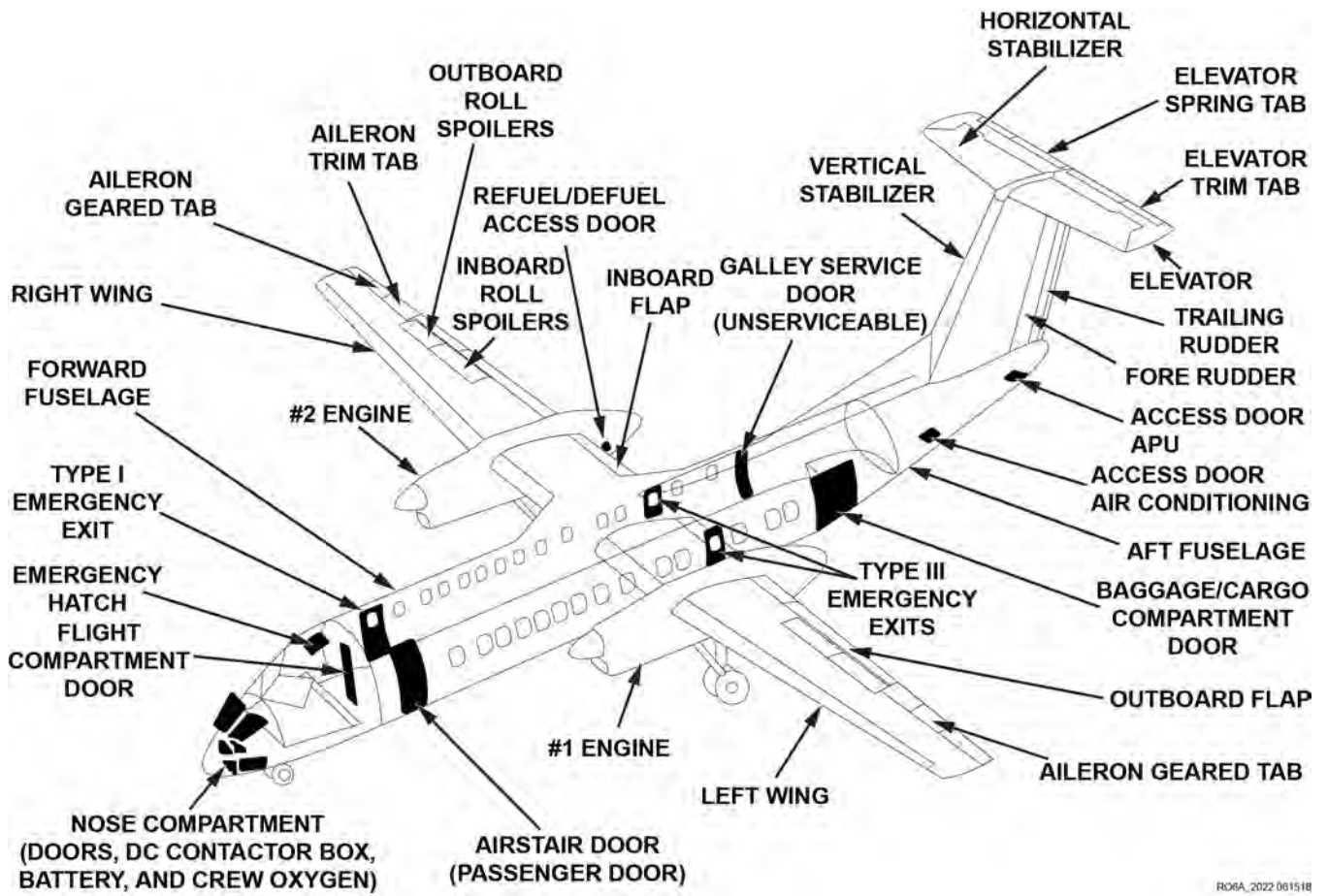
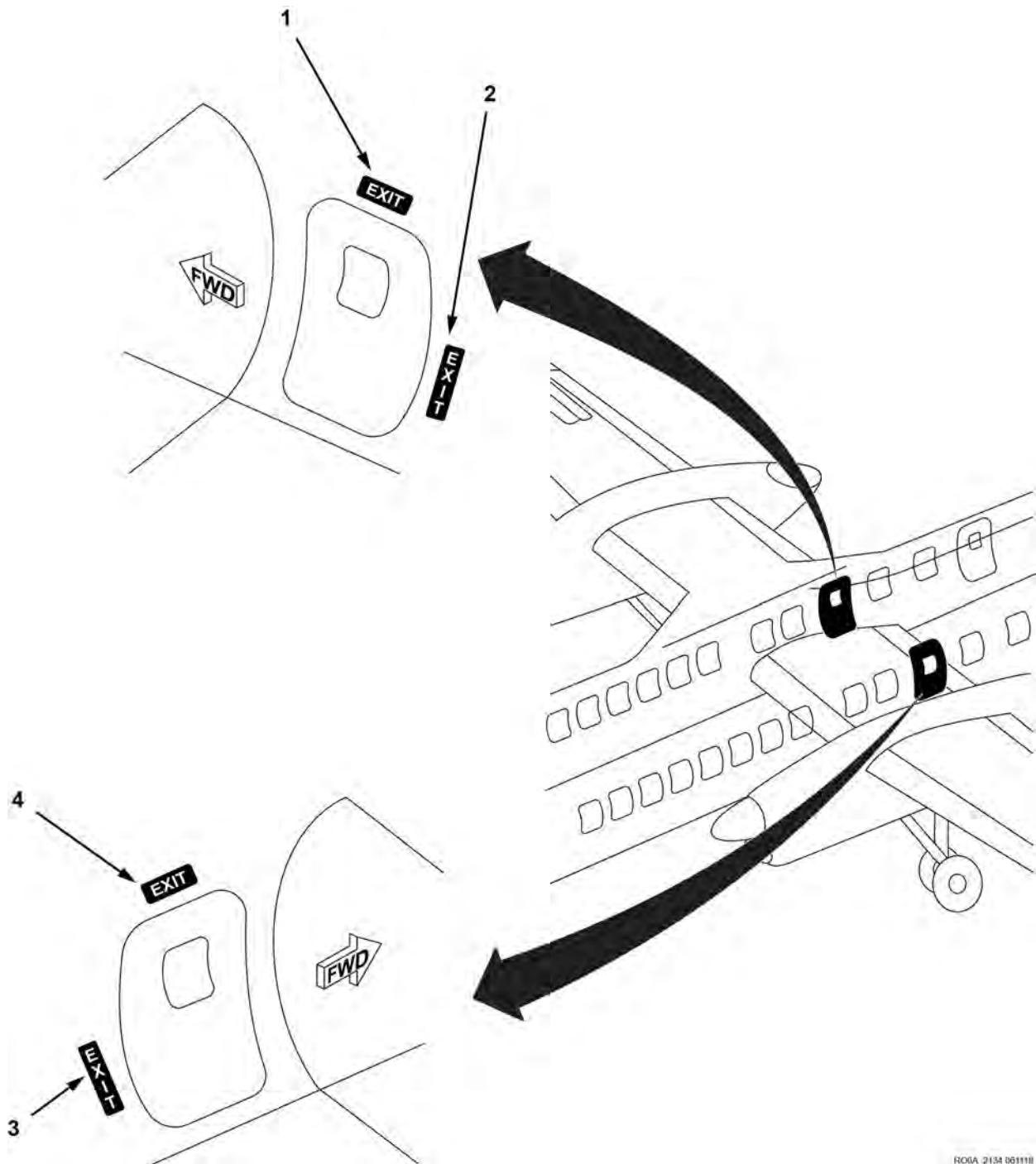


Golden Knights C-147A Exterior



C-147A Emergency Exits

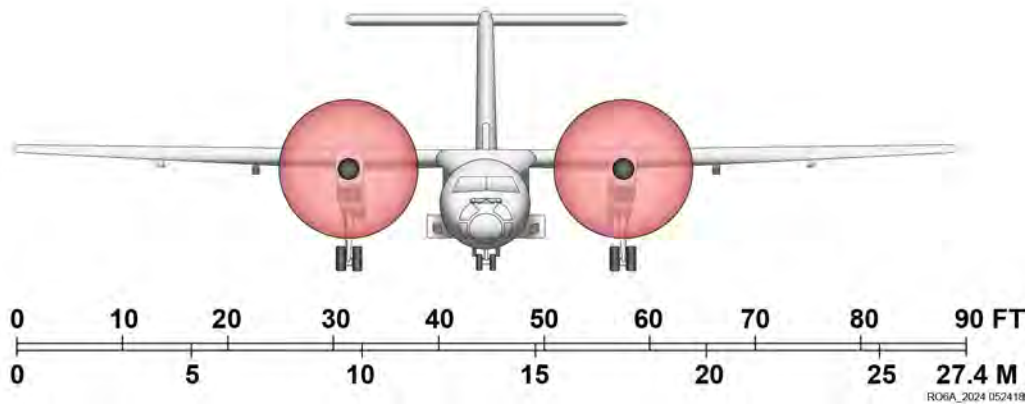
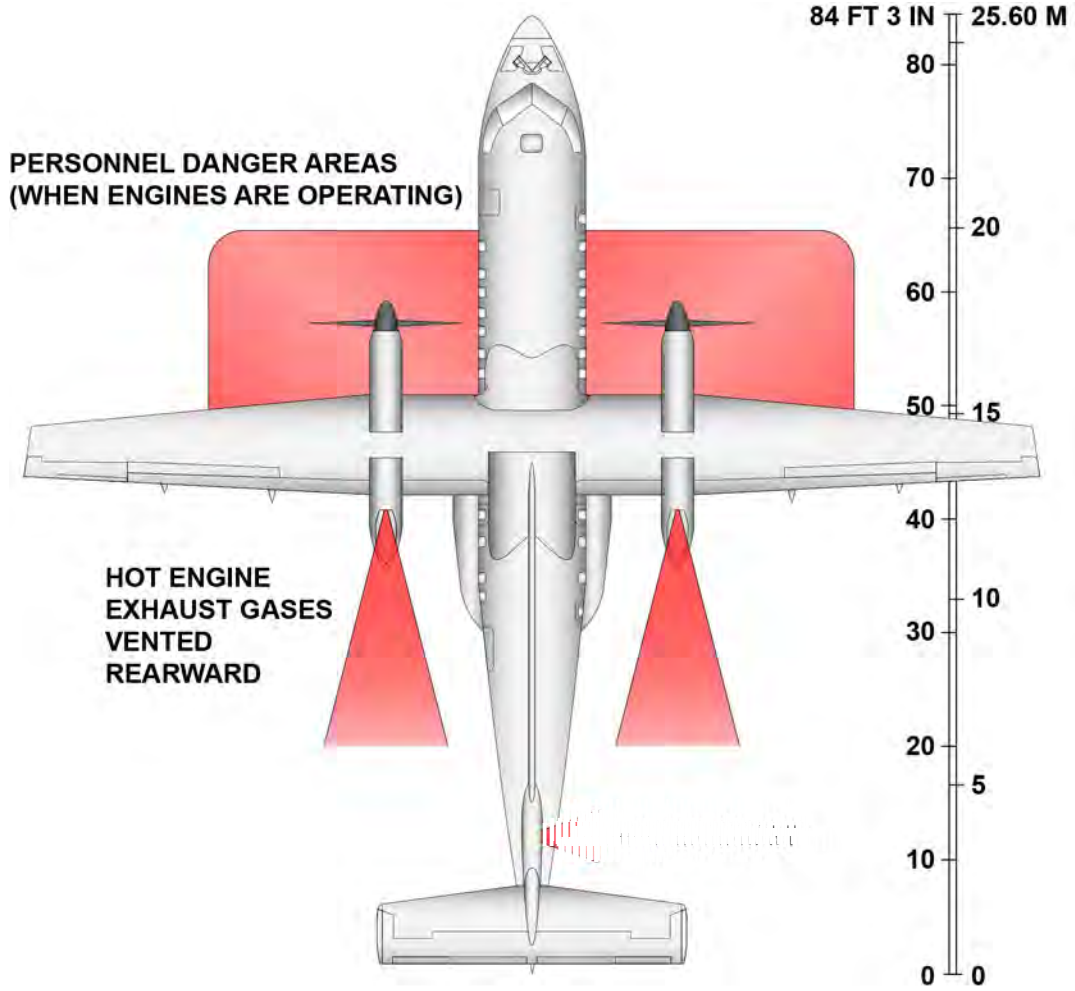


ROGA_2134 061118

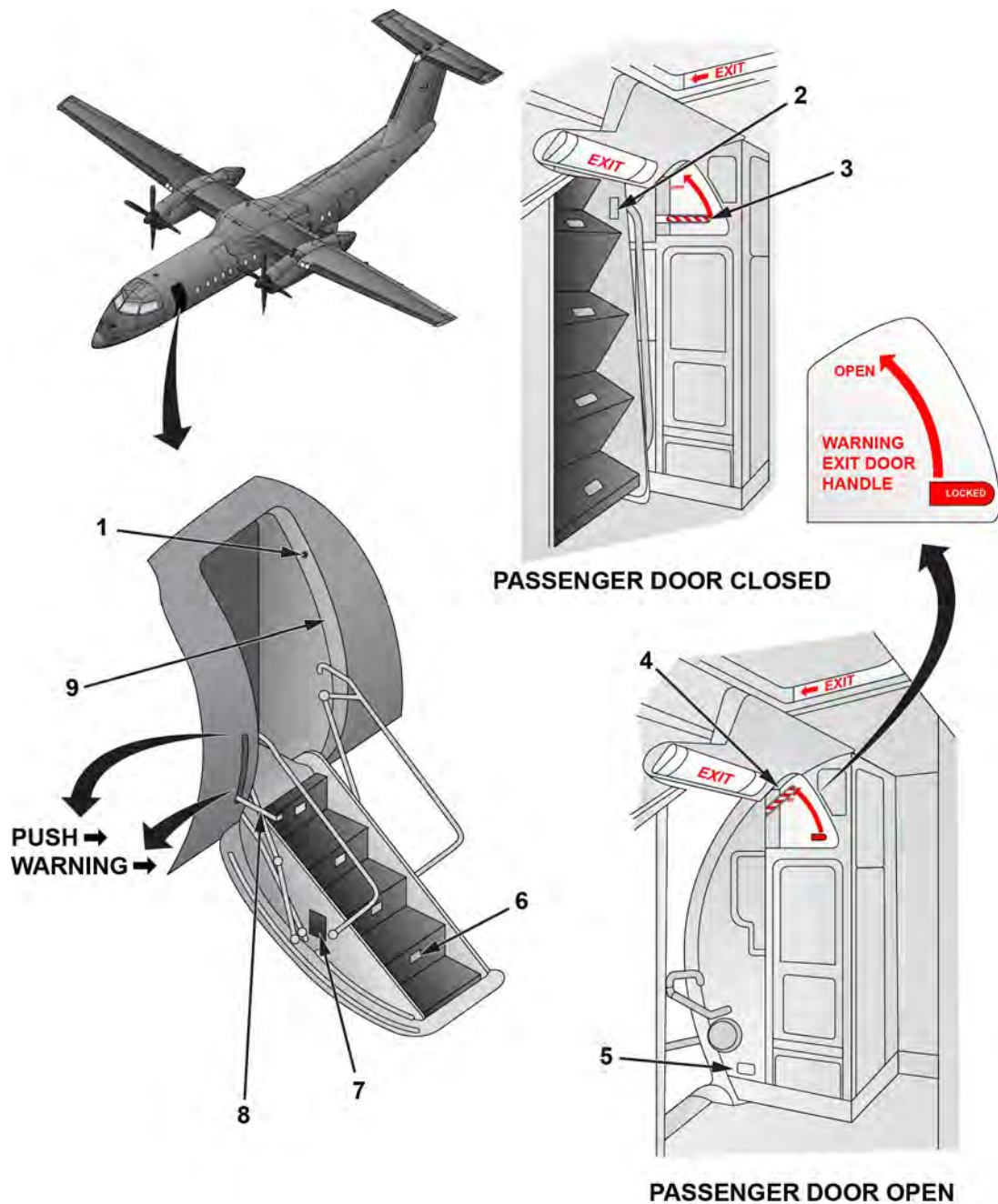
1. RHS AFT SERVICE DOOR EMERG EXIT MARKER
2. RHS AFT SERVICE DOOR EMERG EXIT IDENTIFIER
3. LHS AFT SERVICE DOOR EMERG EXIT MARKER
4. LHS AFT SERVICE DOOR EMERG EXIT IDENTIFIER

Aft Service Doors Emergency Exit Signs and Locators

C-147A Danger Areas



C-147A Passenger Door



RO6A_2001 062118

1. DR WARNING PROXIMITY SW SENSOR
2. ASSIST HANDLE
3. INTERNAL OPERATING HANDLE (LOCKED)
4. INTERNAL OPERATING HANDLE (OPEN)
5. THRESHOLD LIGHT

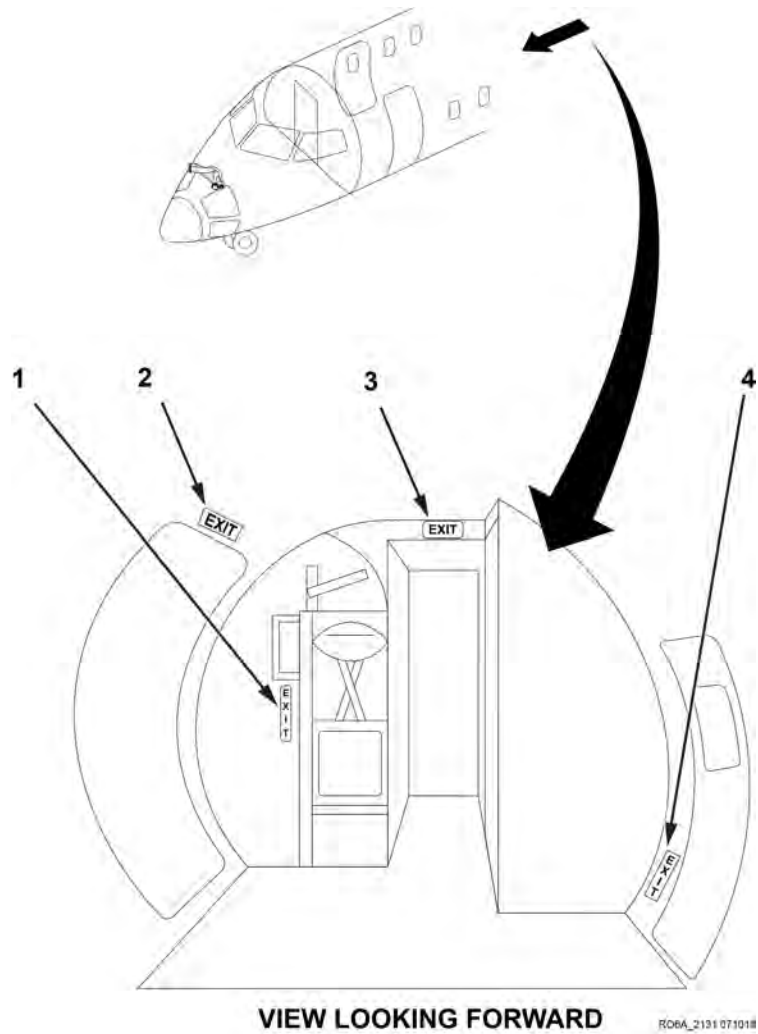
6. AIRSTAIR LIGHTS
7. MAIN LANDING GEAR LOCK PIN STOWAGE
8. EXTERNAL OPERATING HANDLE
9. BULKHEAD

C-147A Baggage / Jump Door Operation



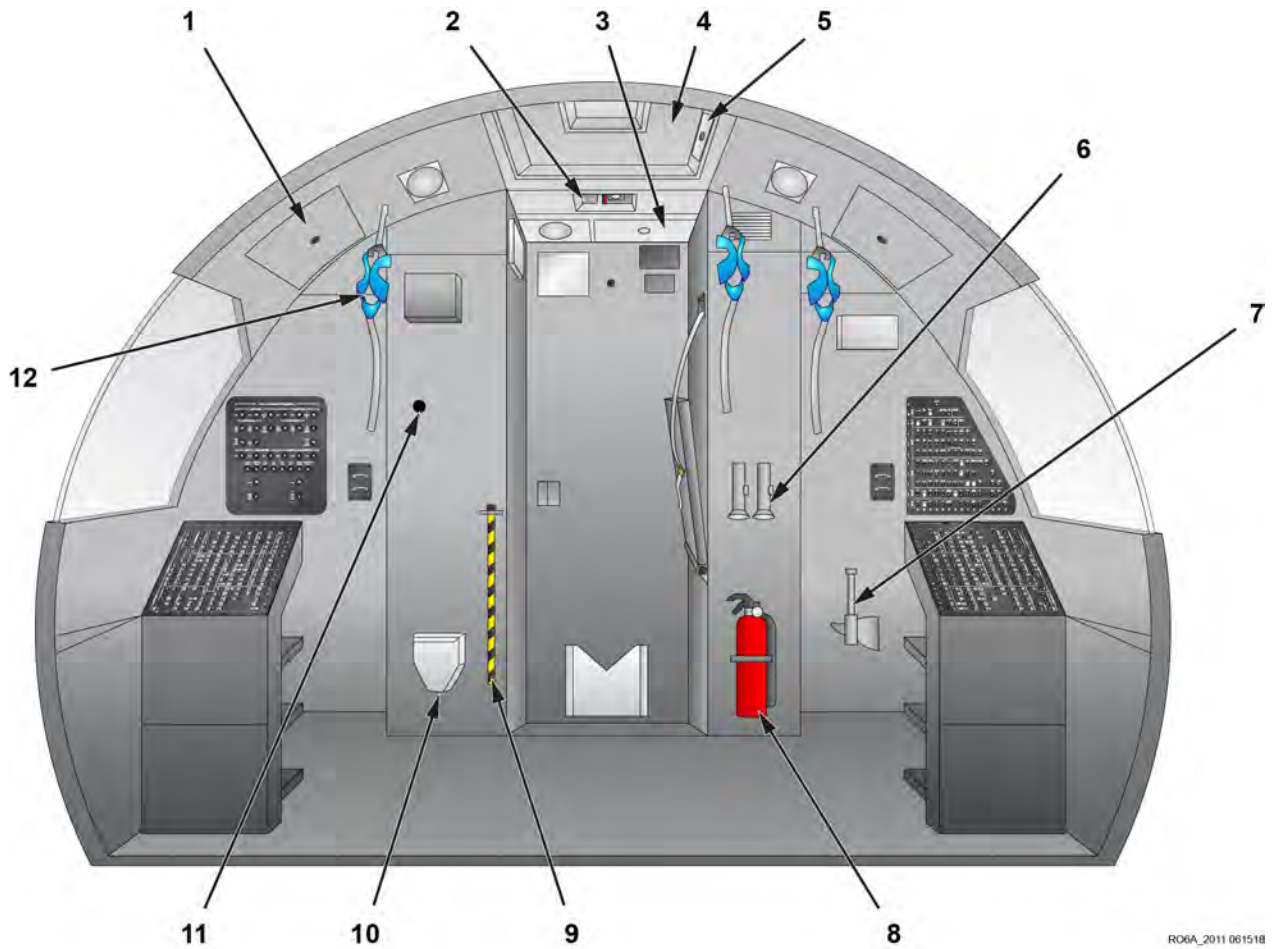
Note: Service Door. The service door location is on the aft right-hand side of the fuselage. The service door has been deactivated due to mission package modifications.

C-147A Forward Cabin Emergency Exit Signs and Locators



1. FWD PASSENGER DOOR IDENTIFIER
2. FWD PASSENGER DOOR EMERG MARKER
3. FWD PASSENGER DOOR LOCATOR
4. TYPE II/III DOOR IDENTIFIER

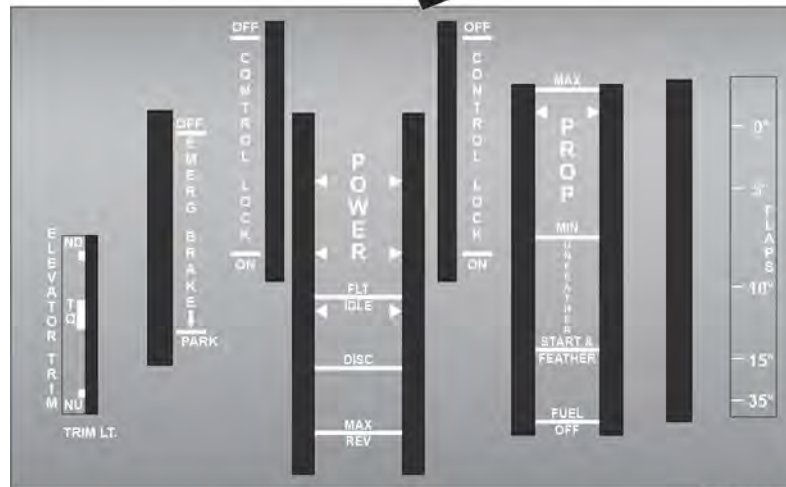
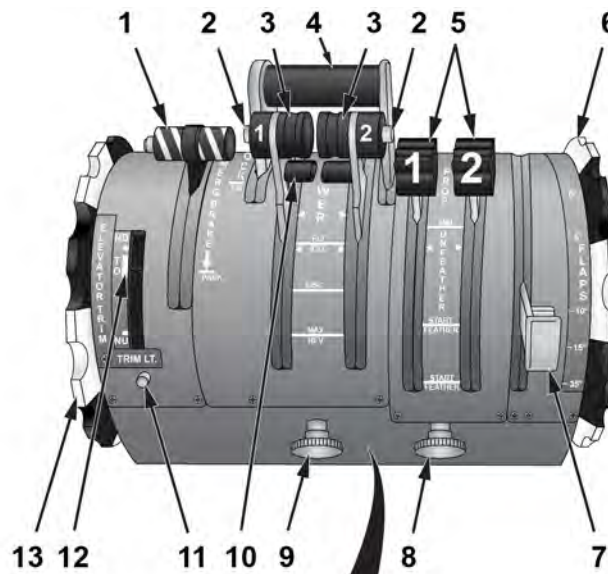
C-147A General Flight Compartment Arrangement - View Looking Aft



RO6A_2011 061518

1. LIFE VESTS
2. PORTABLE EMERG LT
3. OBSERVER LIFE VEST
4. ESCAPE HATCH
5. ESCAPE ROPE
6. FLASHLIGHTS
7. FIRE AXE
8. HALON FIRE EXTINGUISHER
9. LDG EMERG EXT PUMP HDL
10. PORTABLE OXYGEN MASK
11. OBSERVER OXYGEN CONNECTION
12. OXYGEN MASK

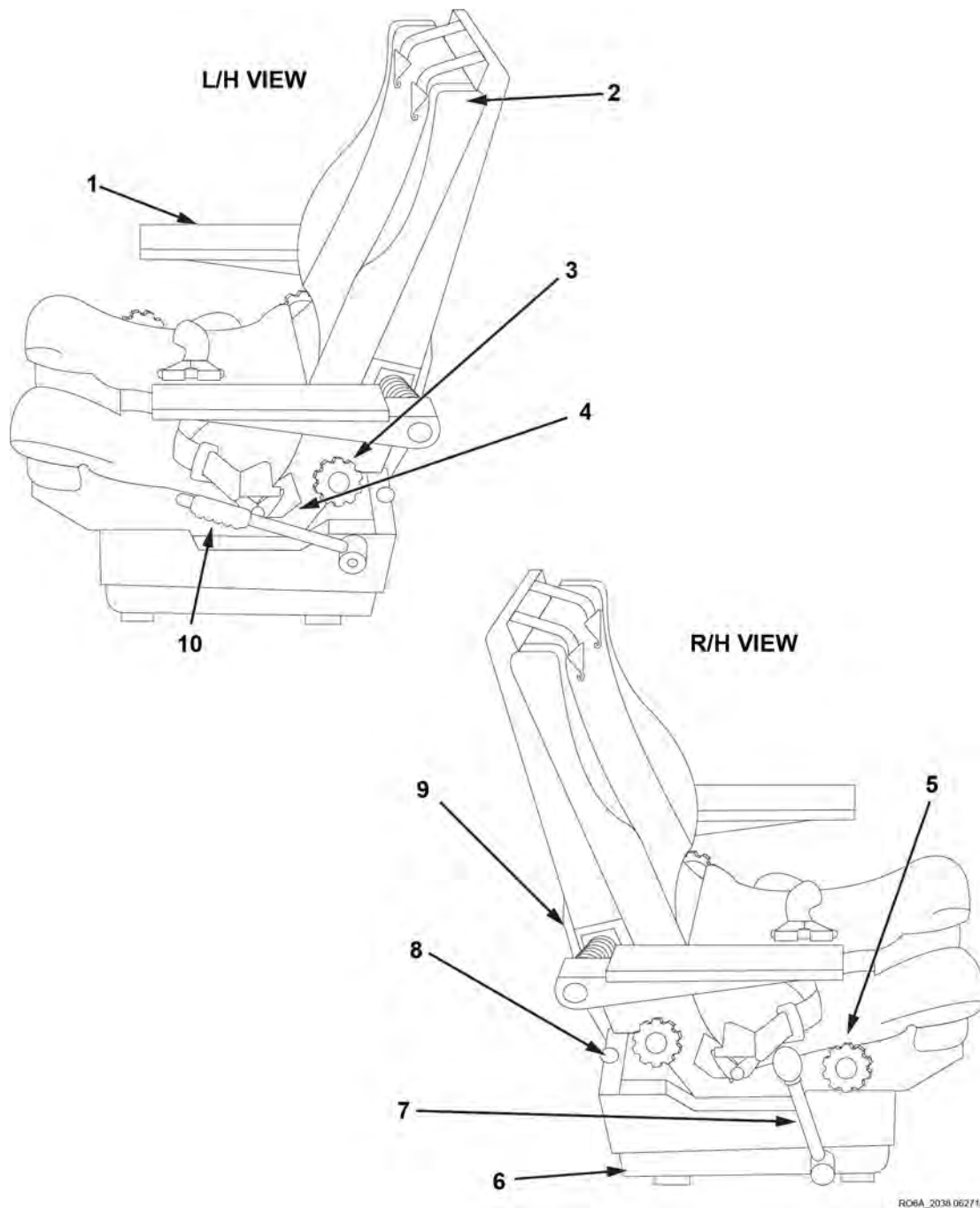
C-147A Throttle Quadrant



ROBA_2016 051618

- | | |
|---------------------------|-----------------------------------|
| 1. EMERG/PARK BRAKE LEVER | 8. FLT IDLE GATE RELEASE TRIGGERS |
| 2. A/P GO-AROUND | 9. CONDITION LEVER FRICTION KNOB |
| 3. POWER LEVERS | 10. POWER LEVERS FRICTION KNOB |
| 4. FLT CONTROL LOCK LEVER | 11. TRIM LT |
| 5. CONDITION LEVERS | 12. ELEVATOR TRIM |
| 6. ELEVATOR TRIM WHEEL | 13. ELEVATOR TRIM WHEEL |
| 7. FLAP SELECTOR LEVER | |

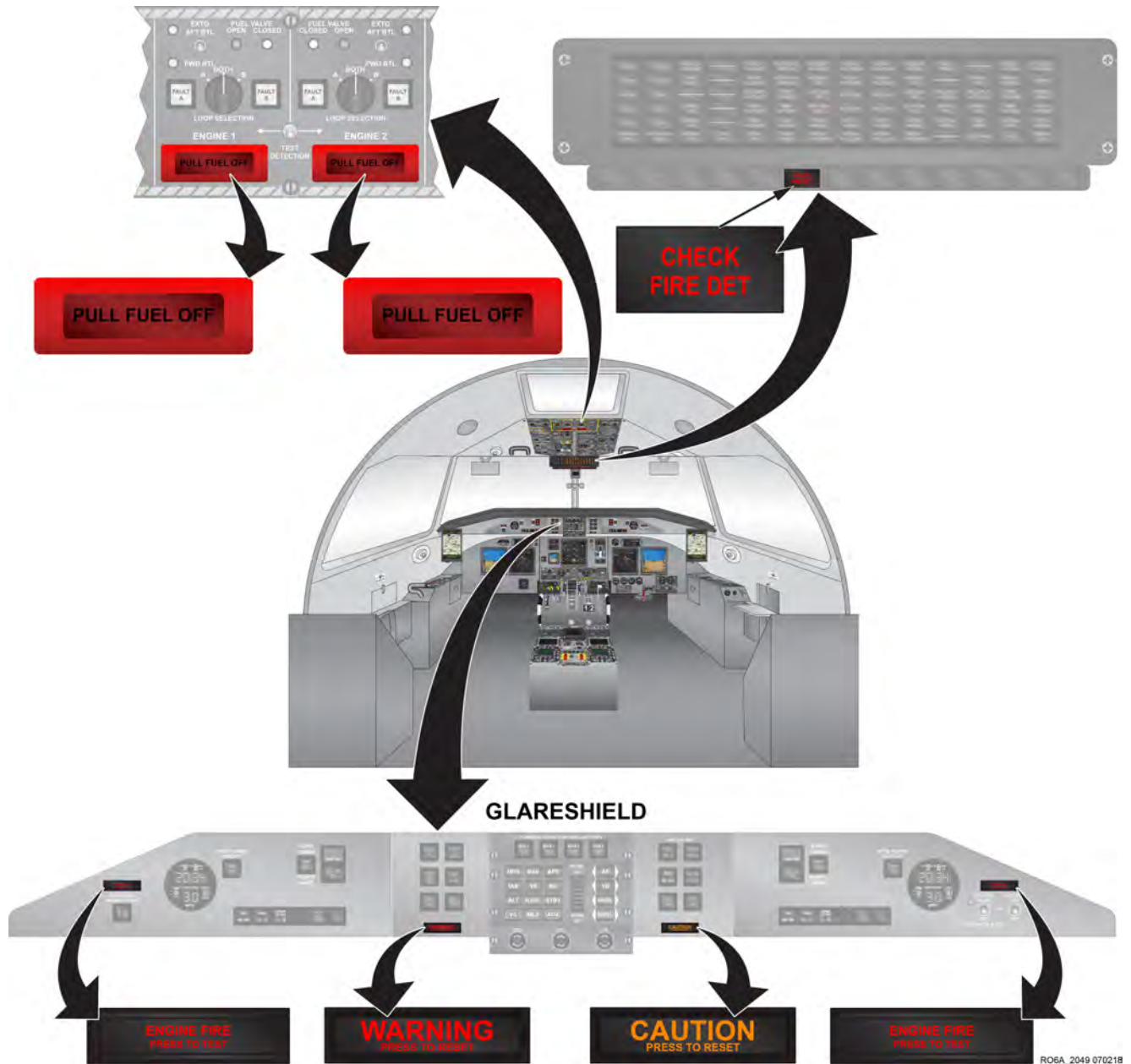
C-147A Flight Crew Seats



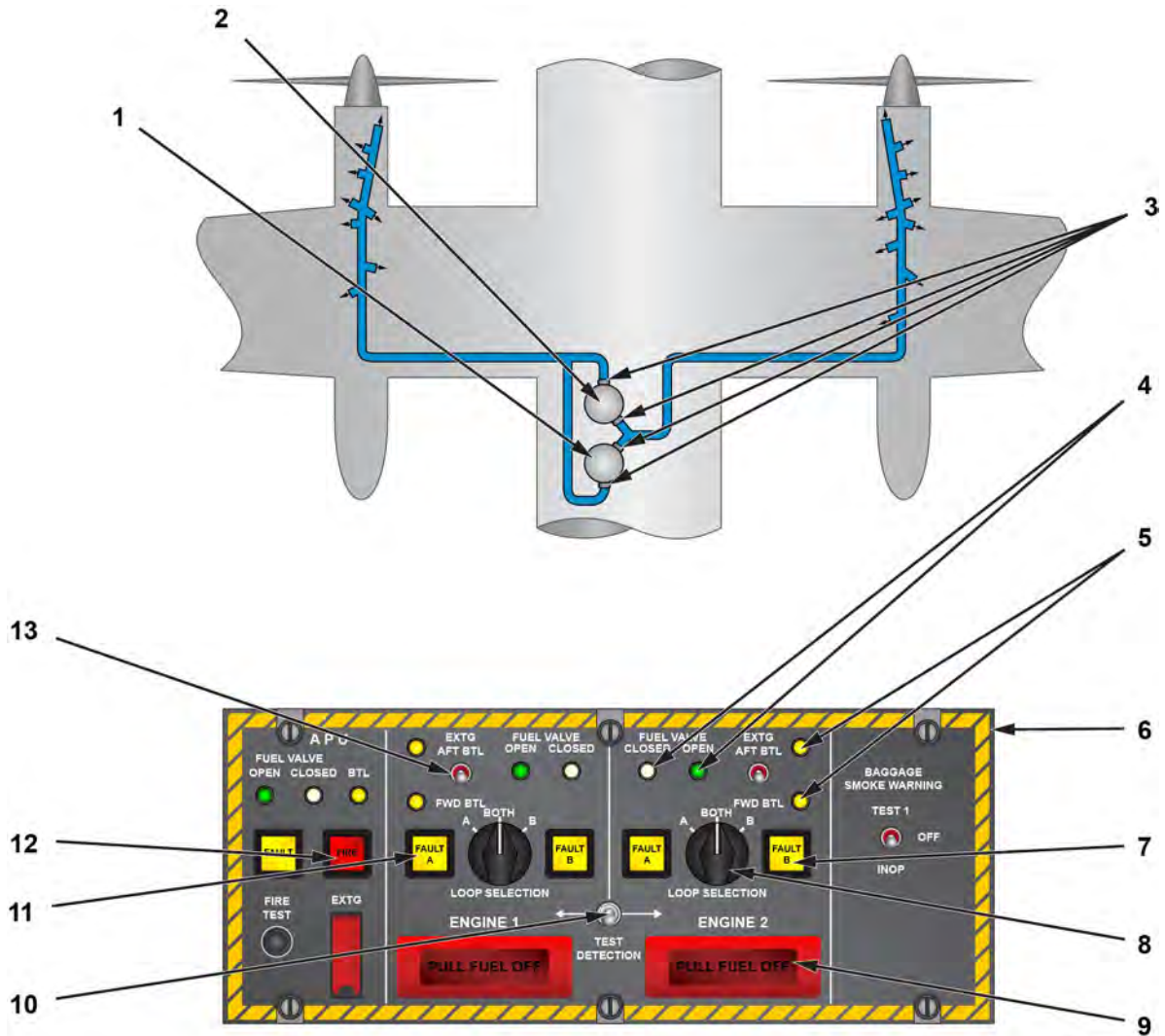
1. ADJUSTABLE ARMREST
2. BACK CUSHION
3. LUMBAR SUPPORT CTRL
4. RECLINE CTRL
5. THIGH SUPPORT CTRL

6. TRACK LOCK PIN
7. FORE/AFT ADJ LEVER
8. HARNESS REEL LOCK CTRL
9. DOCUMENT STOWAGE
10. VERTICAL ADJ LEVER

C-147A Engine Fire and Master Caution annunciators



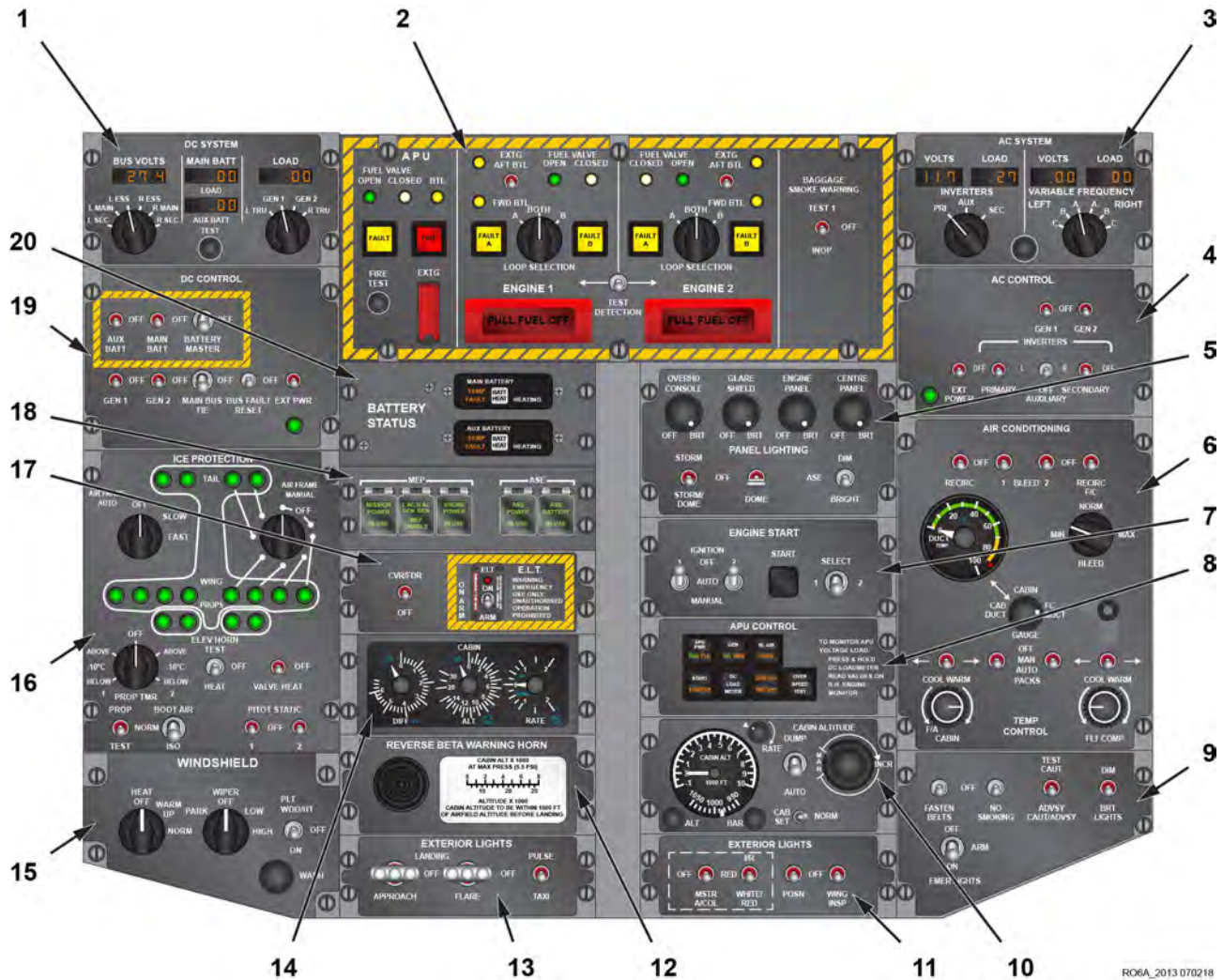
C-147A Fire Extinguishing System



RO6A_2052 050418

- | | |
|-----------------------------|--------------------------------|
| 1. EXTG AFT BTL | 8. LOOP SELECTION |
| 2. EXTG FWD BTL | 9. PULL FUEL OFF HANDLES (RED) |
| 3. DISCHARGE SQUIBS (4 EA.) | 10. TEST DETECTION |
| 4. FUEL VALVE POS LTS | 11. FAULT A BUTTON LT |
| 5. EXTG ARM LTS (AMBER) | 12. FIRE LT |
| 6. FIRE DETECTION PNL | 13. EXTG DISCHARGE SW |
| 7. FAULT B BUTTON LT | |

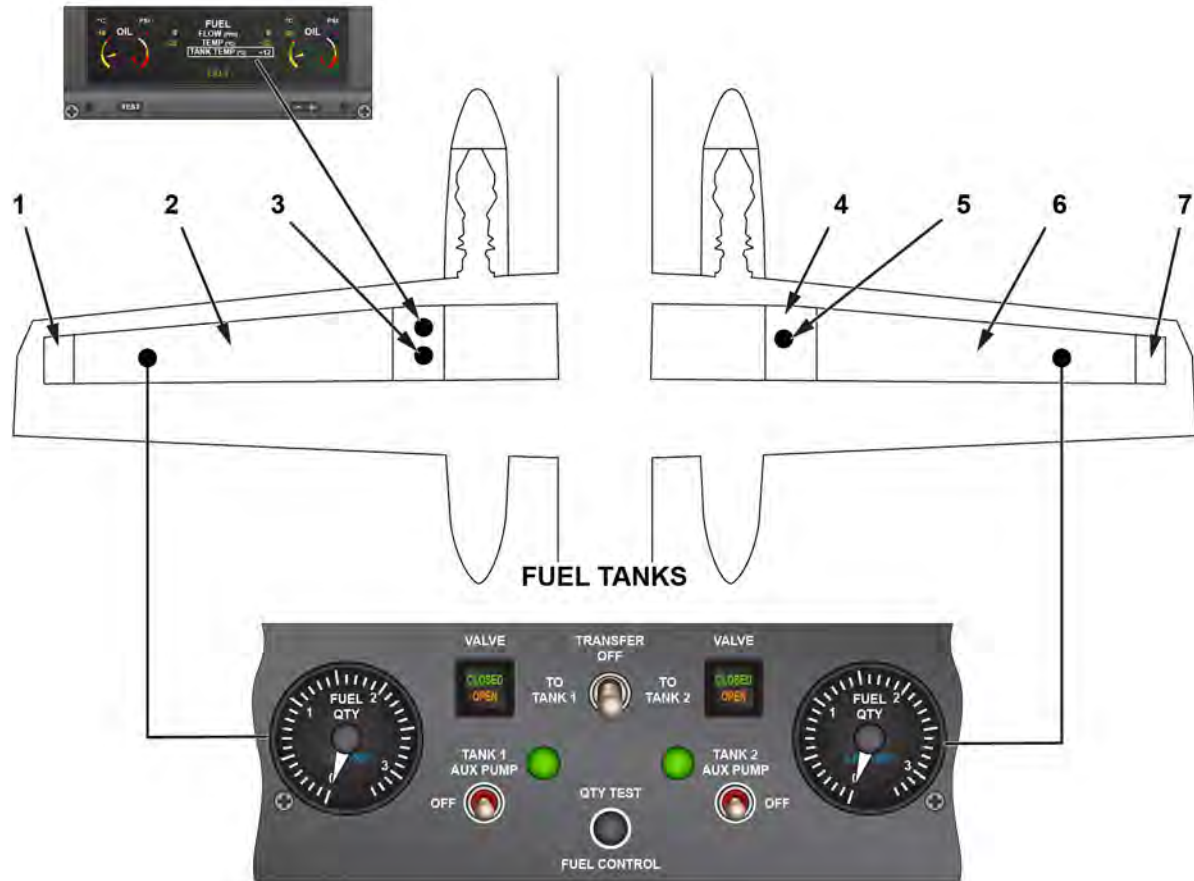
C-147A Overhead Console



RO6A_2013 070218

- | | |
|---------------------------|-------------------------------|
| 1. DC SYSTEM | 11. EXTERIOR LIGHTS |
| 2. ENG/APU FIRE DETECTION | 12. REVERSE BETA WARNING HORN |
| 3. AC SYSTEM | 13. EXTERIOR LIGHTS |
| 4. AC CONTROL | 14. CABIN PRESSURE |
| 5. PNL LIGHTS | 15. WINDSHIELD WIPER |
| 6. AIR CONDITIONING | 16. ICE PROTECTION |
| 7. ENGINE START | 17. ELT |
| 8. APU CONTROL | 18. MEP/ASE POWER USE |
| 9. EMERG LTS | 19. DC CONTROL |
| 10. CABIN ALTITUDE | 20. BATTERY STATUS |

C-147A Fuel Tank Locations

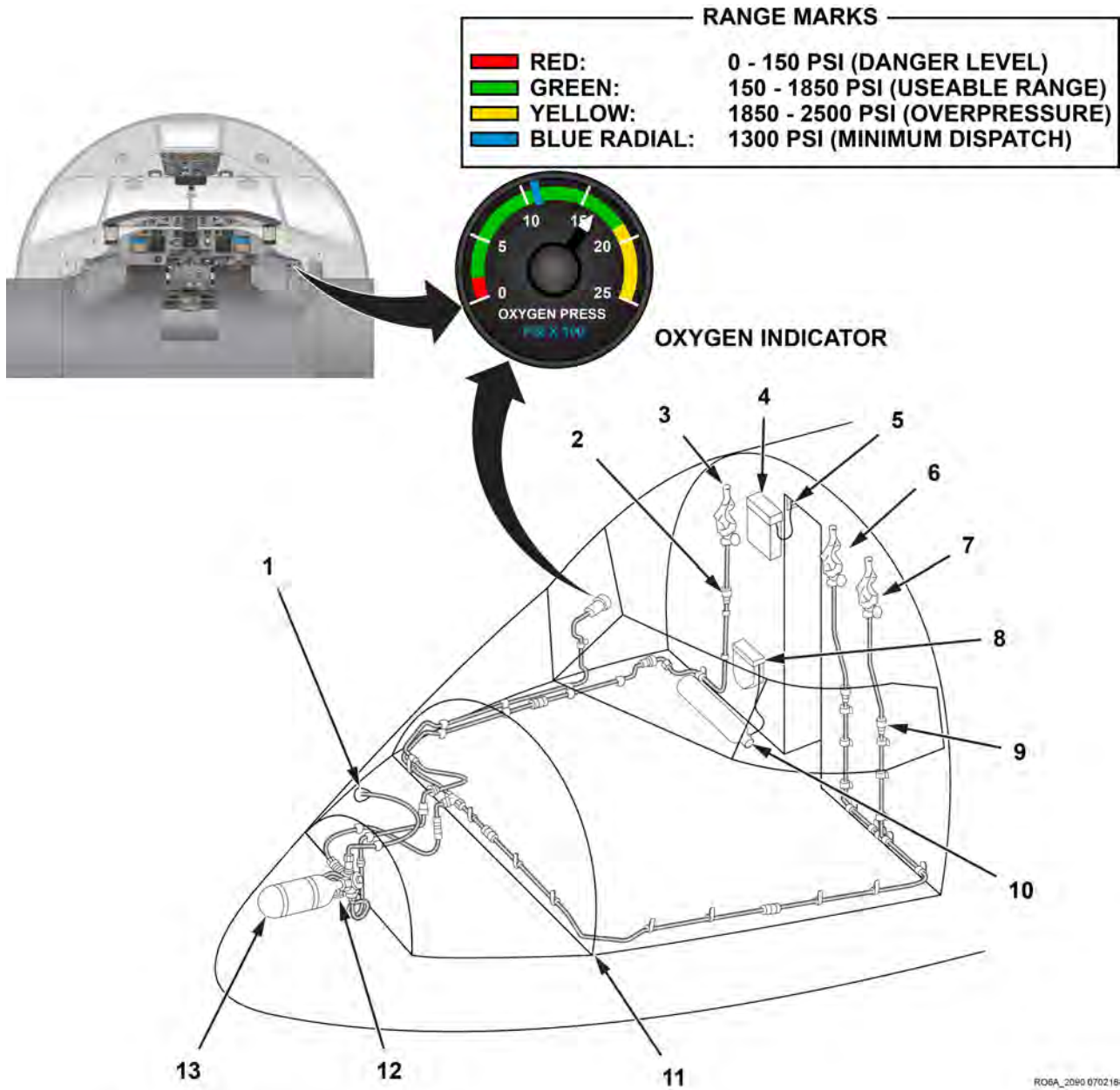


**FUEL DENSITY USED - 6.8 LBS/US GAL
 QUANTITIES BASED ON JET A1 - SPECIFIC GRAVITY 0.816**

ROGA 2053 062718

- | | |
|----------------------------|----------------------------|
| 1. #1 SURGE TANK | 5. #2 TANK FUEL LOW SENSOR |
| 2. #1 MAIN TANK | 6. #2 MAIN TANK |
| 3. #1 TANK FUEL LOW SENSOR | 7. #2 SURGE TANK |
| 4. COLLECTOR TANK | |

C-147A Crew Oxygen Tank Location



13: Crew Oxygen Tank Location